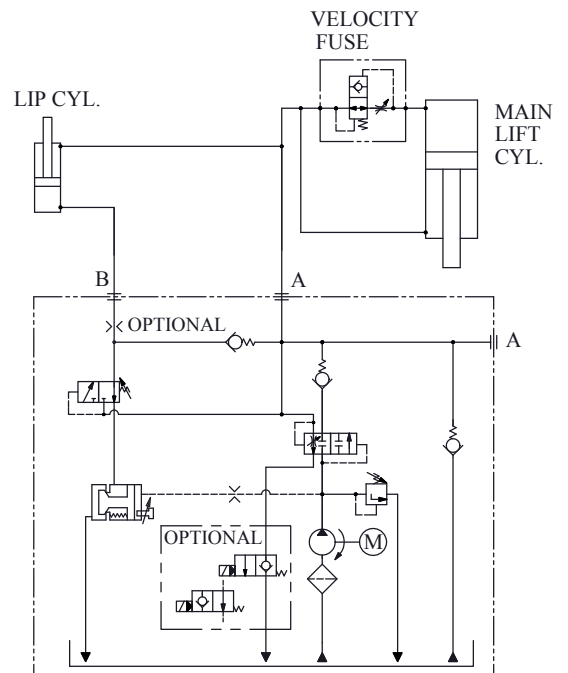
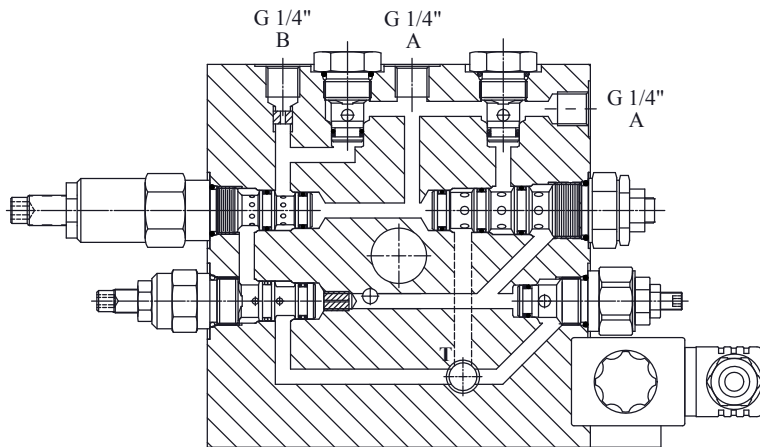


"Dock Leveller" Hydraulic Valves Diagram

"Dock Leveller" Hydraulic Schematic



When the main-cylinder extends, the lip-plate retracts at the same time.

The W82A power pack provides applications for any kind of dock levelers. The W82A power pack can be modified to fit a wide range of tank sizes, pump capacities and hydraulic circuits to accommodate your specific application. Complete operating instructions for our high performance system is provided with each W82A power pack. All screw-in cartridge valves have been designed to be adjusted easily to service the power pack quickly. In addition to Winner standard AC motors, NEMA and B14 standard motors can also be used for the W82A power pack. For additional information or your own custom designed solution, please feel free to contact us.